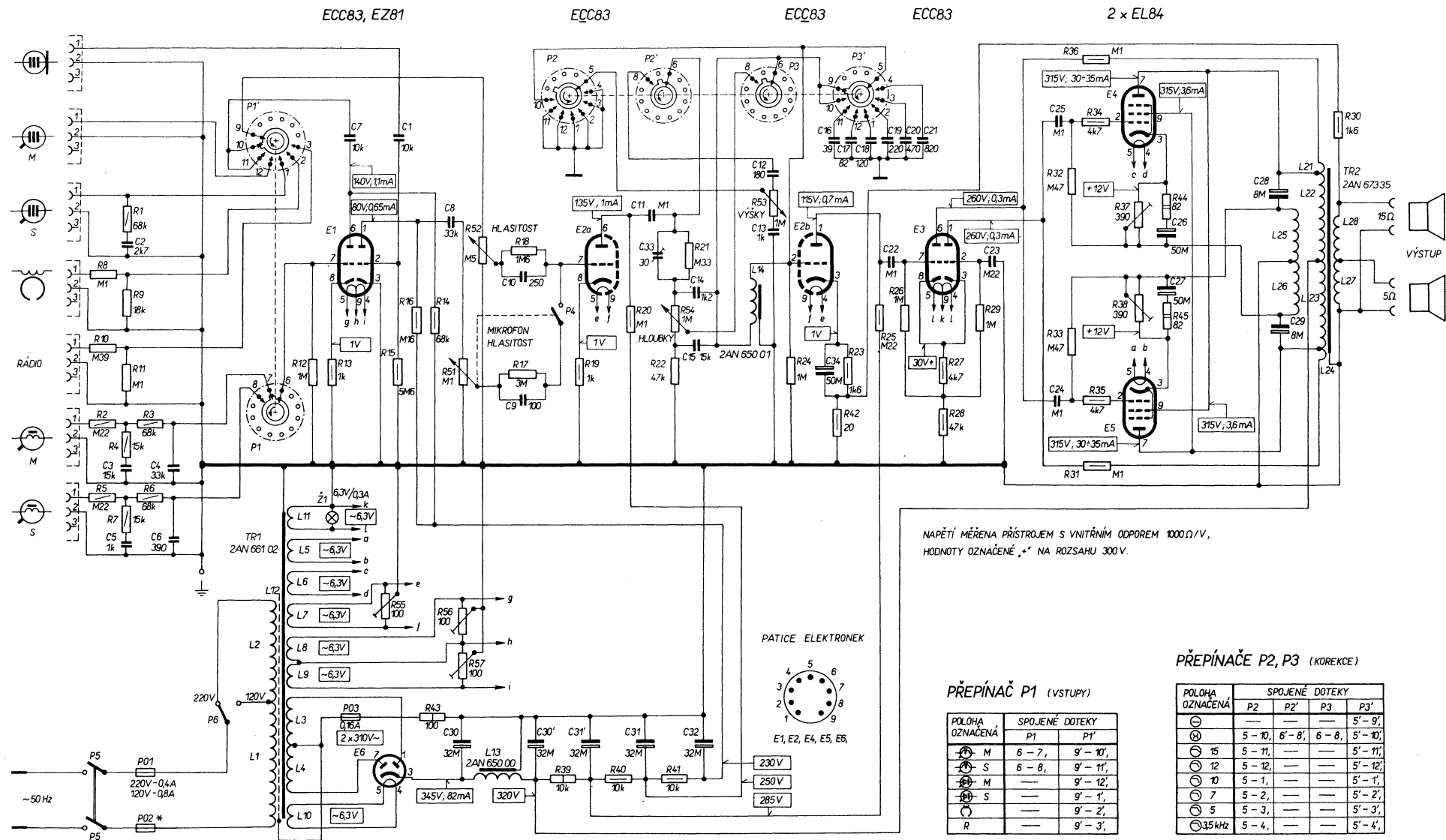
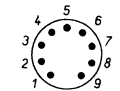


| | | | | | | | | | | | | | | |
|---|--|---------|---------------------------------------|---------|-------------|---------|-----------------|-------------|---------|-----------------|-----------------|---------------------------------|---------|---------------------------------|
| R | 8, 10, 2, 5, 1, 9, 11, 4, 7, 3, 6, | 22, 13, | 55, 15, 16, 4, 3, 14, 51, 56, 57, 52, | 18, 17, | 39, 19, | 40, 20, | 41, 54, 22, 21, | 53, 24, | 42, 23, | 25, 26, | 27, 28, 29, | 32, 33, 36, 34, 35, 31, 37, 38, | 44, 45, | 30, |
| C | 2, 3, 5, 4, 6, | 7, | 1, | 8, 30, | 10, 9, 30', | 31', | 11, 31, 33, | 14, 15, 32, | 12, 13, | 34, 16, 17, 18, | 19, 22, 20, 21, | 23, | 25, 24, | 26, 27, |
| L | 2, 1, 12, 11, 5, 6, 7, 8, 9, 3, 4, 10, | 13, | 14, | 15, | 16, | 17, | 18, | 19, | 20, | 21, | 22, | 23, | 24, | 25, 26, 21, 22, 23, 24, 28, 27, |



NAPĚTÍ MĚŘENA PŘÍSTROJEM S VNITŘNÍM ODPOREM 1000Ω/V,
HODNOTY OZNAČENÉ „*“ NA ROZSAHU 300V.

PATICE ELEKTRONEK



E1, E2, E4, E5, E6,

PŘEPÍNAČ P1 (VSTUP)

| POLOHA OZNAČENÁ | SPOJENÉ DOTEKY P1 | SPOJENÉ DOTEKY P1' |
|-----------------|-------------------|--------------------|
| M | 6 - 7, | 9' - 10', |
| S | 6 - 8, | 9' - 11', |
| M | — | 9' - 12', |
| S | — | 9' - 1', |
| S | — | 9' - 2', |
| R | — | 9' - 3', |

PŘEPÍNAČE P2, P3 (KOREKCE)

| POLOHA OZNAČENÁ | SPOJENÉ DOTEKY P2 | SPOJENÉ DOTEKY P2' | SPOJENÉ DOTEKY P3 | SPOJENÉ DOTEKY P3' |
|-----------------|-------------------|--------------------|-------------------|--------------------|
| ⊖ | — | — | — | 5' - 9', |
| ⊕ | 5 - 10, | 6' - 8', | 6 - 8, | 5' - 10', |
| ⊖ | 15 | 5 - 11, | — | 5' - 11', |
| ⊕ | 12 | 5 - 12, | — | 5' - 12', |
| ⊖ | 10 | 5 - 1, | — | 5' - 1', |
| ⊕ | 7 | 5 - 2, | — | 5' - 2', |
| ⊖ | 5 | 5 - 3, | — | 5' - 3', |
| ⊕ | 35kHz | 5 - 4, | — | 5' - 4', |